



300-1½"L

Portable Eductor

Materials of Construction:

Body & Diffuser Bronze or Aluminum**
Nozzle Monel

**Note: 356-T6 Aluminum castings are anodized and powder coated.

Connections:

All 1½" NPT Threaded Connections

General Characteristics

Suction Capacity	Up to 40 GPM
Suction Lift	Up to 23 Feet
Discharge Head	Up to 100 Feet
Motive Pressure	75 – 150 PSI
Motive Quantity	Up to 50 GPM
Weight	8 Lbs – (Bronze)

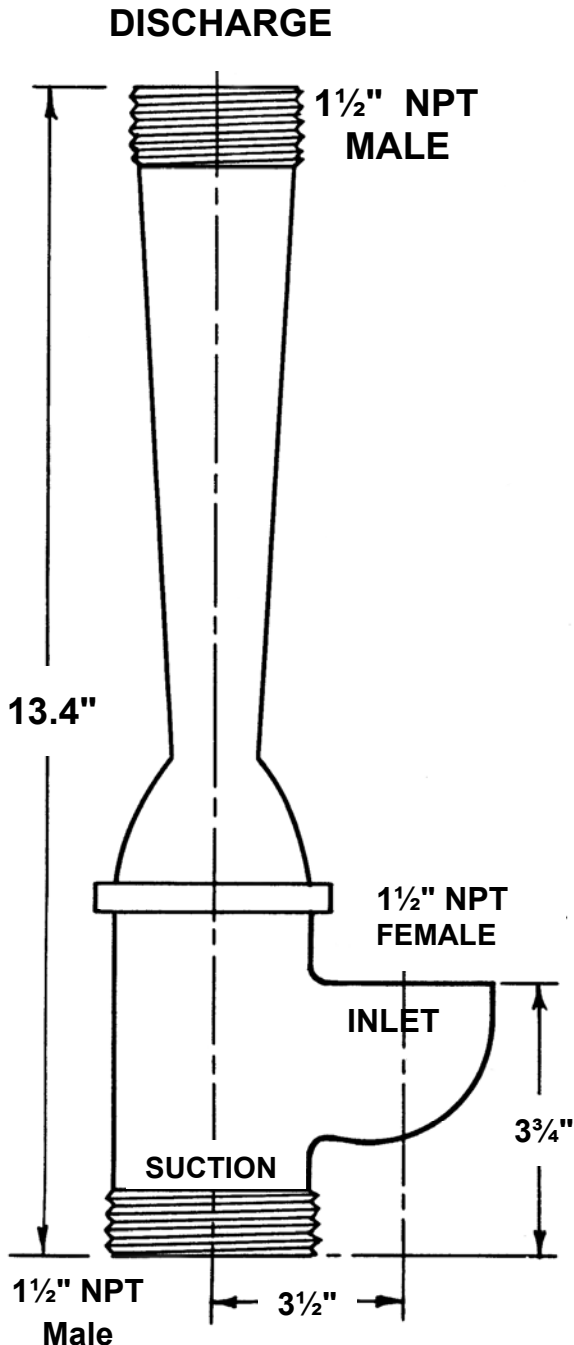
Suggested Uses – Marine Departments

1. Keeping bottoms dry during tank or hold washing operations.
2. Pumping water out of holds during firefighting operations.
3. Regular or emergency pumping of liquids from ballast, bilge, cargo spaces, pits, etc

The V.M. 300-1½"L eductor is constructed of high grade bronze. It is a small handy jet pump, useful for portable or permanent pumping jobs. Greatest suction capacity is achieved by lowering eductor into space to be pumped out.

When suction lift does not exceed 20' a length of suction hose can be attached to suction end and only the hose can be put into the space to be pumped dry.

Generally used for removal of liquids from Bilges, Barges, Tanks, Cargo spaces, pits, etc. VM # 300 is an emergency pump always ready for action as long as a driving liquid under pressure is available.



PUMP it DRY

VITA MOTIVATOR CO., INC.

P.O. BOX 8139 ENGLEWOOD, NJ 07631
(201)- 567 -1151 TEL (201)-734-8482 FAX

michaels.greene@att.net