



Vita Motivator Co – Spud Can Eductors Vita Motivator Co – Leg Jetting Eductors

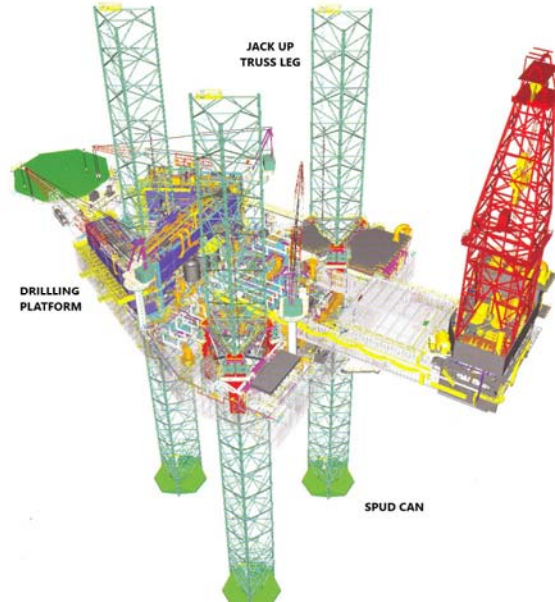
Trusted since 1937

VM Hydraulic Eductors are installed worldwide on offshore drilling rigs for Spud Can & Leg Jetting Operations.

VM Hydraulic Eductors are also installed in Semi-Submersible Rigs for pontoon drainage.

VM Eductors are critical for pumping out water from the Spud can to operating the jack up legs.

Vita Motivator Co is a world leader in the supply of Spud Can Eductors, with over 900 Drilling rig installations and over 3000 Eductors installed worldwide.



VM # 1802 Series
Spud Can Eductors
Leg Jetting Eductors

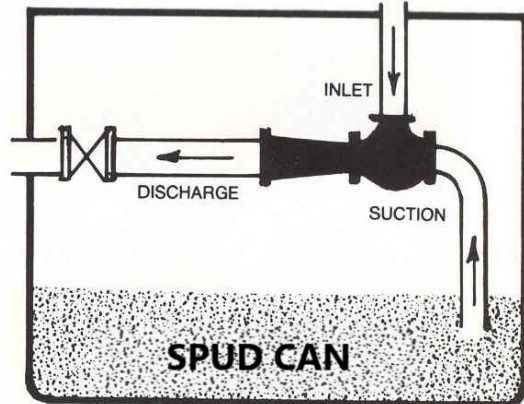
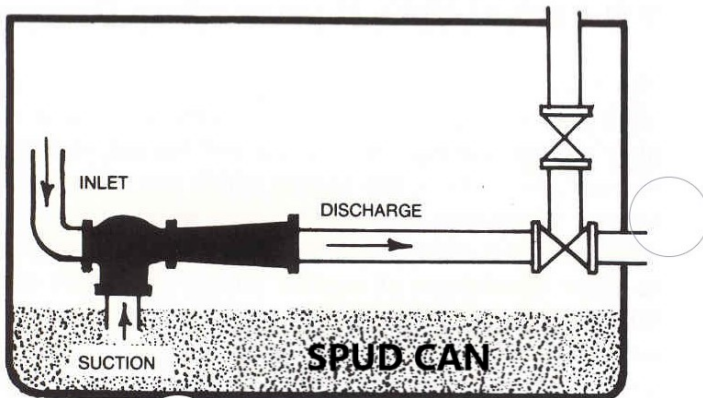


VM 1542 Spud Can Eductors 4"-6"

VM # 1802 & VM # 1903 SERIES

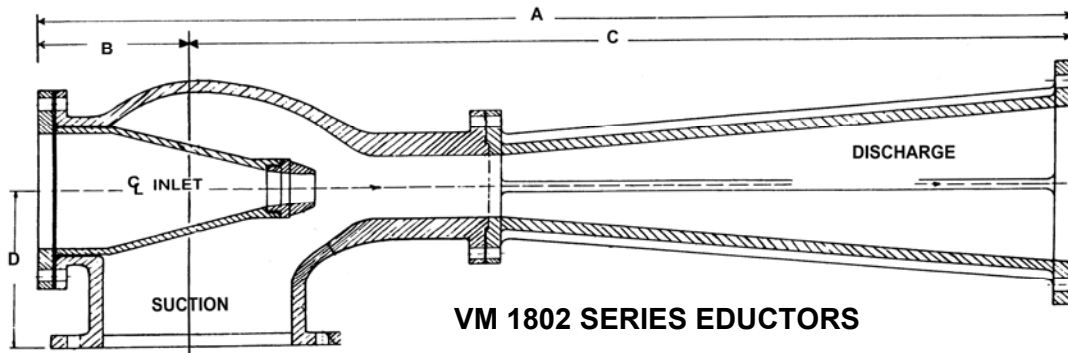
VM SPUD CAN EDUCTORS

VM LEG JETTING EDUCTORS



PUMP IT DRY with VM SPUD CAN & LEG JETTING EDUCTORS

Vita Motivator Co. PO Box 8139 Englewood, NJ 07631 T. 201-567-1151 michaels.greene@att.net



Model No.	Capacity (GPM)	Inlet	Suction	Discharge	A	B	C	D	Weight (lbs)
1802-4"SP	440	2½"	4"	4"	27.56"	5"	22.56"	5½"	90
1802-4"LX	550	2½"	4"	4"	33"	5"	28"	5½"	110
1802-6"LX	950	4"	6"	6"	46¾"	7"	39¾"	7"	300
1802-8"X	1500	6"	8"	8"	54½"	7"	47½"	8"	325

Model No.	Capacity (M3/Hr.)	Inlet	Suction	Discharge	A	B	C	D	Weight (KGs)
1802-4"SP	99	65	100	100	700	125	575	140	41
1802-4"LX	125	65	100	100	838	125	713	140	50
1802-6"LX	215	100	150	150	1187	178	1009	178	136
1802-8"X	340	150	200	200	1384	178	1206	203	147

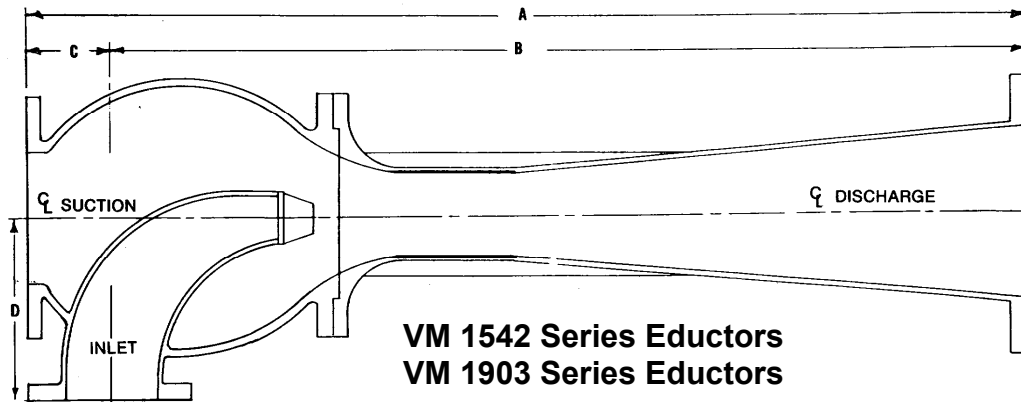
Materials of Construction

	<u>Standard</u>	<u>Optional</u>
Body & Diffuser:	Ni-Al Bronze # 958	Bronze ASTM B62; 316 Stainless; Naval Bronze; Carbon Steel
Nozzle:	Monel	316 Stainless, Hastelloy, Tungsten Carbide
Fasteners:	316 Stainless Steel	Monel
Gaskets:	Garlock Gylon # 3510	Neoprene
Lining	Optional	Tungsten Carbide
Flanges:	150 # ANSI B16.5	300 # ANSI B16.5 or JIS or DIN



1. The 1802 Series are In-Line Eductors with renewable replaceable nozzles.
2. Main application is Spud Can Stripping & Leg Jetting.
3. Permanently installed eductors will remove liquids and mud like solids in suspension.
4. Eductors are supplied to meet the requirements of each application.

PUMP IT DRY with VM SPUD CAN & LEG JETTING EDUCTORS



Materials of Construction

	<u>Standard</u>	<u>Optional</u>
<u>Body & Diffuser:</u>	Ni-Al Bronze # 958	Bronze ASTM B62; 316 Stainless; Naval Bronze; Carbon Stl.
<u>Nozzle:</u>	Monel	316 Stainless, Hastelloy, Tungsten Carbide
<u>Fasteners:</u>	316 Stainless Steel	Monel
<u>Gaskets:</u>	Garlock Gylon # 3510	Neoprene
<u>Lining</u>	Optional	Tungsten Carbide
<u>Flanges:</u>	150 # ANSI B16.5	300 # ANSI B16.5 or JIS or DIN

<u>VM Model No.</u>	<u>Body / Nozzle Material</u>	<u>Capacity (GPM)</u>	<u>Inlet</u>	<u>Suction</u>	<u>Discharge</u>	<u>A</u>	<u>B</u>	<u>C</u>	<u>D</u>	<u>Weight (lbs)</u>
1542 - 3" LX	Bronze / Monel	206	2"	3"	3"	27.76"	22.76"	5"	4.02"	60
1542 - 4" LX	Bronze / Monel	275	3"	4"	4"	34"	27"	7"	5½"	85
1903 - 6"	Bronze / Monel	800	6"	4"	6"	42"	36"	6"	7"	170
1903 - 6" LX	Bronze / Monel	900	5"	6"	6"	45½"	39⅞"	5"	8"	190

<u>VM Model #</u>	<u>Body / Nozzle Material</u>	<u>Capacity (M3/Hr.)</u>	<u>Inlet</u>	<u>Suction</u>	<u>Discharge</u>	<u>A</u>	<u>B</u>	<u>C</u>	<u>D</u>	<u>Weight (kgs)</u>
1542 - 3" LX	Bronze / Monel	46	50	80	80	705	578	127	102	27
1542 - 4" LX	Bronze / Monel	62	80	100	100	863	685	178	140	39
1903 - 6"	Bronze / Monel	181	150	100	150	1067	915	152	178	77
1903 - 6" LX	Bronze / Monel	204	125	150	150	1155	1028	127	203	86

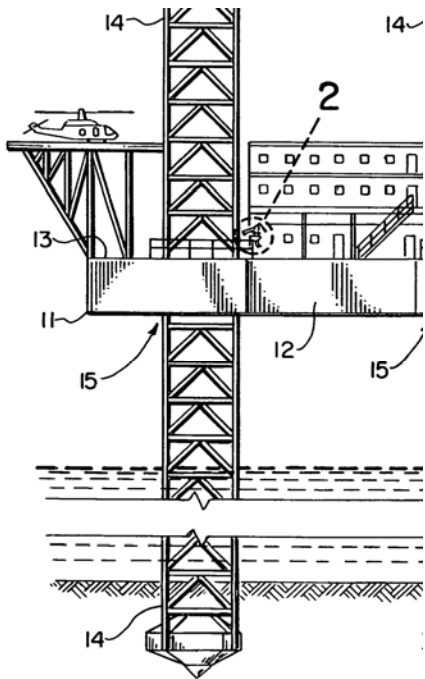
NOTES

1. The 1542 / 1903 Series are permanently installed Eductors with renewable replaceable nozzles.
2. Main application is Spud Can Stripping & Leg Jetting.
3. Permanently installed eductors will remove liquids and mud like solids in suspension.
4. Eductors are supplied to meet the requirements of each application
5. Permanently installed ejectors are used to strip ballast, bilge, cargo or other spaces that regularly have to be pumped out.
6. The VM 1903-1542 Series are high suction stripping jet pumps for tankers bulk carriers, barges and oil rigs.
7. Other applications include stripping Cargo Tanks, Bilges, Spud Cans, high pressure leg jetting, main & secondary drainage, pumping cement and drilling mud.
8. These VM ejectors can be fitted with throat linings for severe wear and to prevent erosion for severe service.
9. Standard construction uses a Ni-Al Bronze body with a monel nozzle. Also available in Naval Bronze & Bronze ASTM B62; 316 Stainless Steel and Carbon Steel.
10. All VM Ejectors are customized to fit the requirements of each application.
11. Standard flanges are 150 LB ASA B16.5. Also available with DIN or JIS flanges.
12. Consult VM installation, maintenance and technical manual prior to sizing and installation.



PUMP IT DRY with VM SPUD CAN & LEG JETTING EDUCTORS

Vita Motivator Co. PO Box 8139 Englewood, NJ 07631 T. 201-567-1151 michaels.greene@att.net



PUMP IT DRY with VM SPUD CAN & LEG JETTING EDUCATORS

Vita Motivator Co. PO Box 8139 Englewood, NJ 07631 T. 201-567-1151 michaels.greene@att.net



**V.M. # 1802
SERIES
SPUD CAN
EDUCTORS**



**VM # 1802
SERIES
SPUD CAN
EDUCTORS**



**VM # 1542
SERIES
SPUD CAN
EDUCTORS**



**VM # 1903
SERIES
SPUD CAN
EDUCTORS**

PUMP IT DRY with VM SPUD CAN & LEG JETTING EDUCTORS

Vita Motivator Co. PO Box 8139 Englewood, NJ 07631 T. 201-567-1151 michaels.greene@att.net