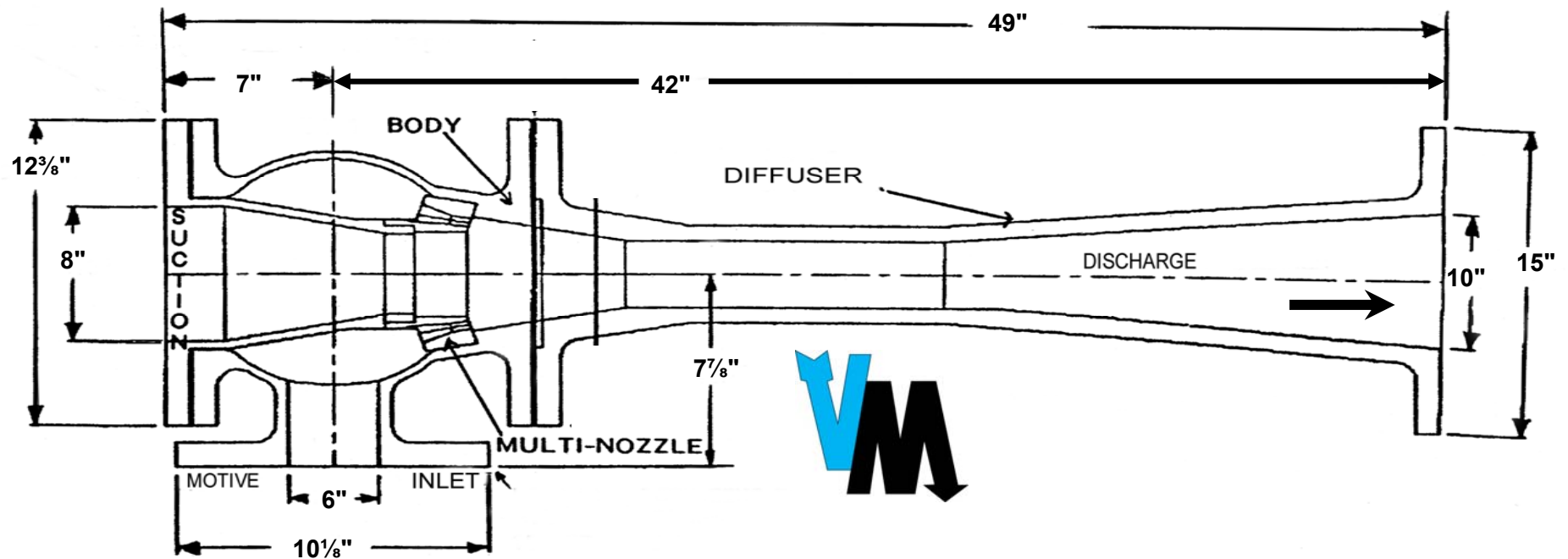


V.M. # 978 - 10" NAVY BRONZE NAVY BILGEMATE MULTI-JET EDUCTOR



V.M. # 978 - 10" NAVY MULTI-JET EDUCTOR

6" x 8" x 10"

Materials of Construction

<u>Body & Diffuser</u>	Bronze ASTM B61
<u>Multi-Jet Nozzle</u>	Monel 400
<u>Fasteners</u>	316 Stainless Stl.
<u>Gaskets</u>	Neoprene

General Data

<u>Construction</u>	MIL-E-24127
<u>Flanges:</u>	MIL-F-20042
<u>Shock Qualification</u>	MIL-S-901-D
<u>Vibration Qualification</u>	MIL-STD-167
<u>Shock & Vibration Tested & Qualified.</u>	

Specifications

<u>Motive Pressure</u>	50-175 PSI
<u>Motive Flow</u>	900-1600 GPM
<u>Suction Lift</u>	Up to -20 Feet
<u>Discharge Head</u>	Up to 100 Feet
<u>Suction Capacity</u>	Up to 1850 GPM

Flanges

	<u>Inlet</u>	<u>Suction</u>	<u>Discharge</u>
<u>I.D.</u>	6"	8"	10"
<u>O.D.</u>	10 1/8"	12 3/8"	15"
<u>THICK</u>	1.187"	1.312"	1.312"
<u># Holes</u>	12	14	15
<u>Hole Ø</u>	.687"	.687"	13/16"
<u>B.C.</u>	8.875"	11.062"	13.437"

Application Data

Main Drainage Eductor
LPD-17 Class Vessels

250 lb Navy Flanges {also available Flanged 150 lb}