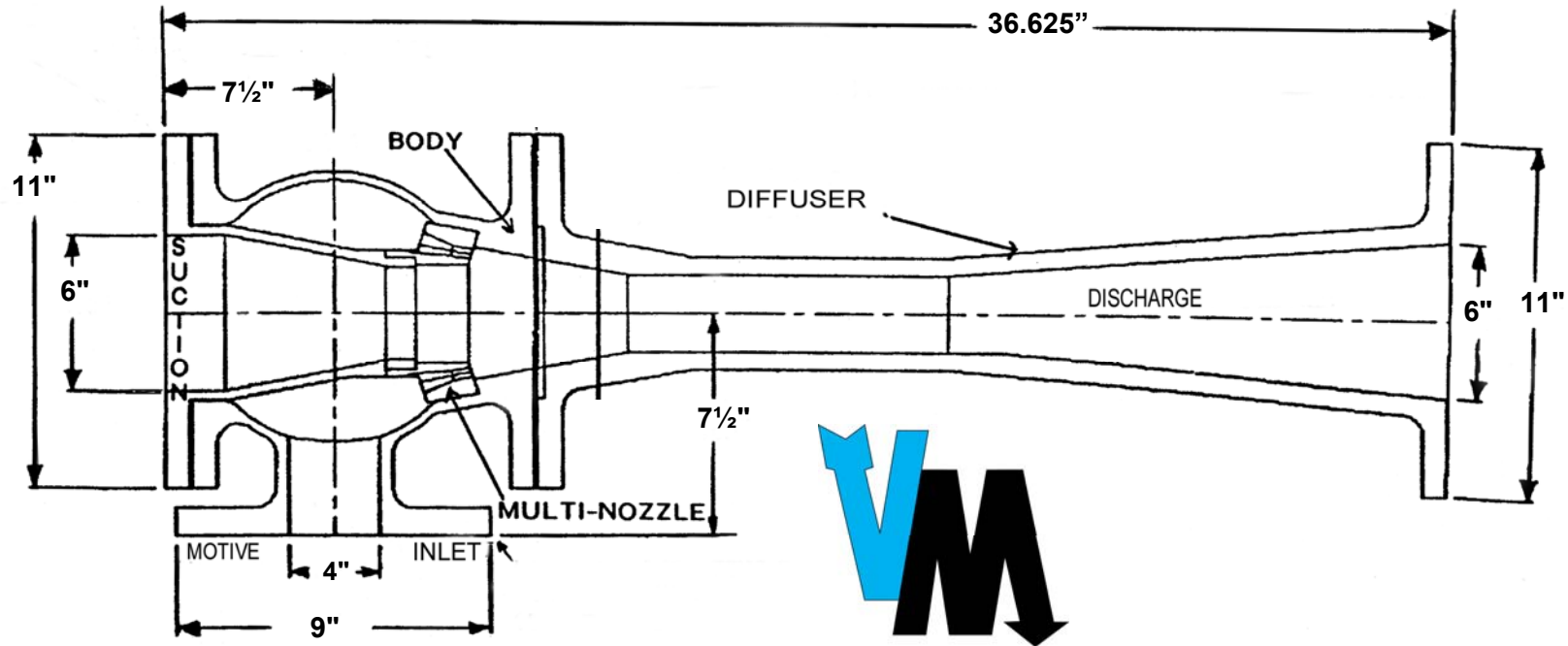


V.M. # 976-6" BRONZE BILGEMATE PERIPHERAL – JET EDUCTOR

STANDARD COMMERCIAL MODEL



Materials of Construction:

Body & Diffuser	Bronze ASTM B62
Multi- Nozzle	Monel
Fasteners	316 Stainless Steel
Gaskets	Neoprene

General Specifications

Suction Lift	Up to 20 Feet
Discharge Head	Up to 50 Feet
Inlet Pressure	50 - 150 PSI
Inlet Quantity	350 - 550 GPM
Suction Capacity	Up to 600GPM

Flanges 150 lb ANSI B 16.24 FLAT FACE

	<u>O.D.</u>	<u>I.D.</u>	<u>THICK</u>	<u># HOLES</u>	<u>DIAMETER</u>	<u>BOLT CIRCLE</u>
<u>INLET</u>	9"	4"	.687"	8	.750"	7 1/2"
<u>SUCTION</u>	11"	6"	.812"	8	.875"	9 1/2"
<u>DISCHARGE</u>	11"	6"	.812"	8	.875"	9 1/2"

Dimensions:

<u>Inlet</u>	<u>Suction.</u>	<u>Discharge</u>	<u>A</u>	<u>B</u>	<u>C</u>	<u>D</u>	<u>Weight</u>
4"	6"	6"	36 5/8"	7 1/2"	29 1/8"	7 1/2"	175 LBS