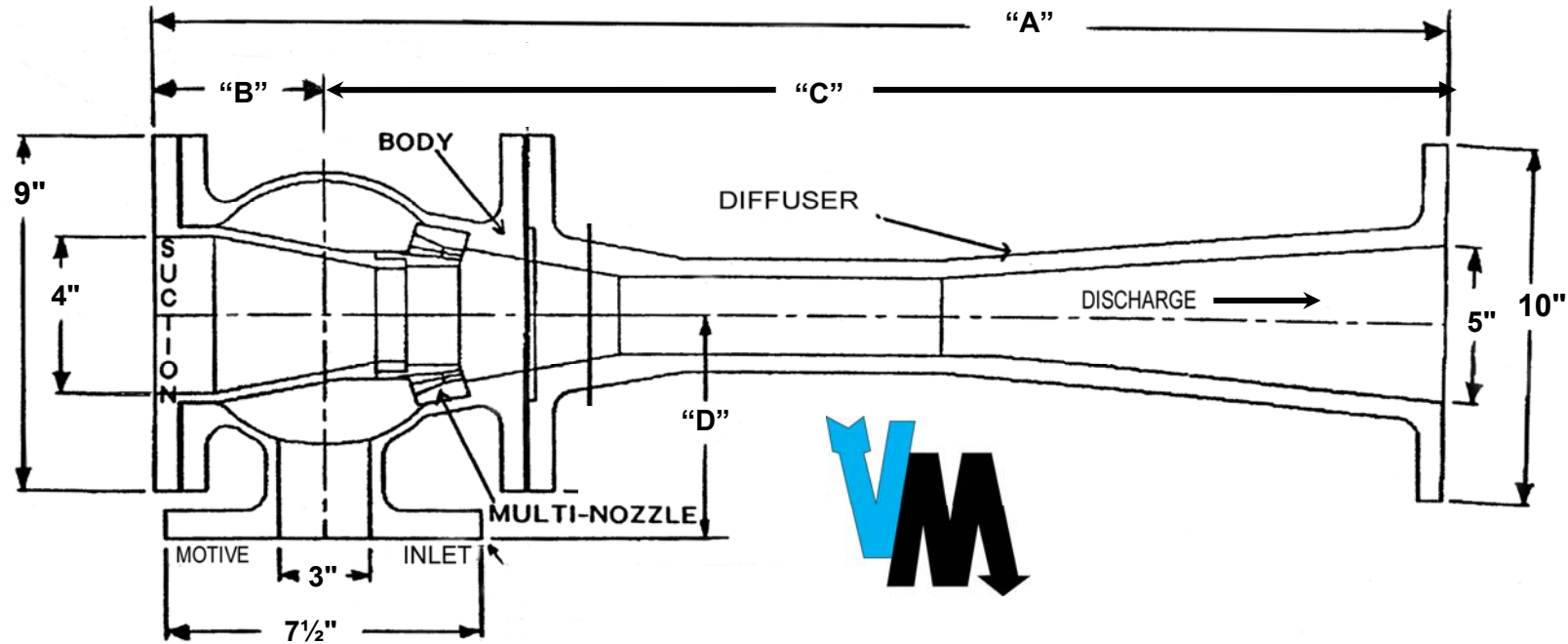


V.M. # 975-5 BRONZE BILGEMATE PERIPHERAL – JET EDUCTOR

STANDARD COMMERCIAL MODEL

3" x 4" x 5"



Materials of Construction:

Body & Diffuser – Bronze ASTM B62
 Multi-Nozzle Monel
 Fastener 316 Stainless Steel

General Specifications

Suction Lift Up to 20 Feet (-6 Meters)
 Discharge Head Up to 90 Feet (27 Meters)
 Inlet Pressure 50 - 150 PSI (4 - 10 Bar)
 Inlet Quantity 150 - 450 GPM (34 - 102 M3/H)
 Suction Capacity Up to 450 GPM (103 M3/H)

Flanges 150 lb ANSI B16.24 Flat Face

	O.D.	I.D.	THICK	# HOLES	DIAMETER	BOLT CIRCLE
INLET	7½"	3"	9/16"	4	¾"	6"
SUCTION	9"	4"	11/16"	8	¾"	7½"
DISCHARGE	10"	5"	11/16"	8	7/8"	8½"

Dimensions:

Inlet	Suction.	Discharge	"A"	"B"	"C"	"D"	Weight
3"	4"	5"	32"	7"	25"	5¼"	120 LBS