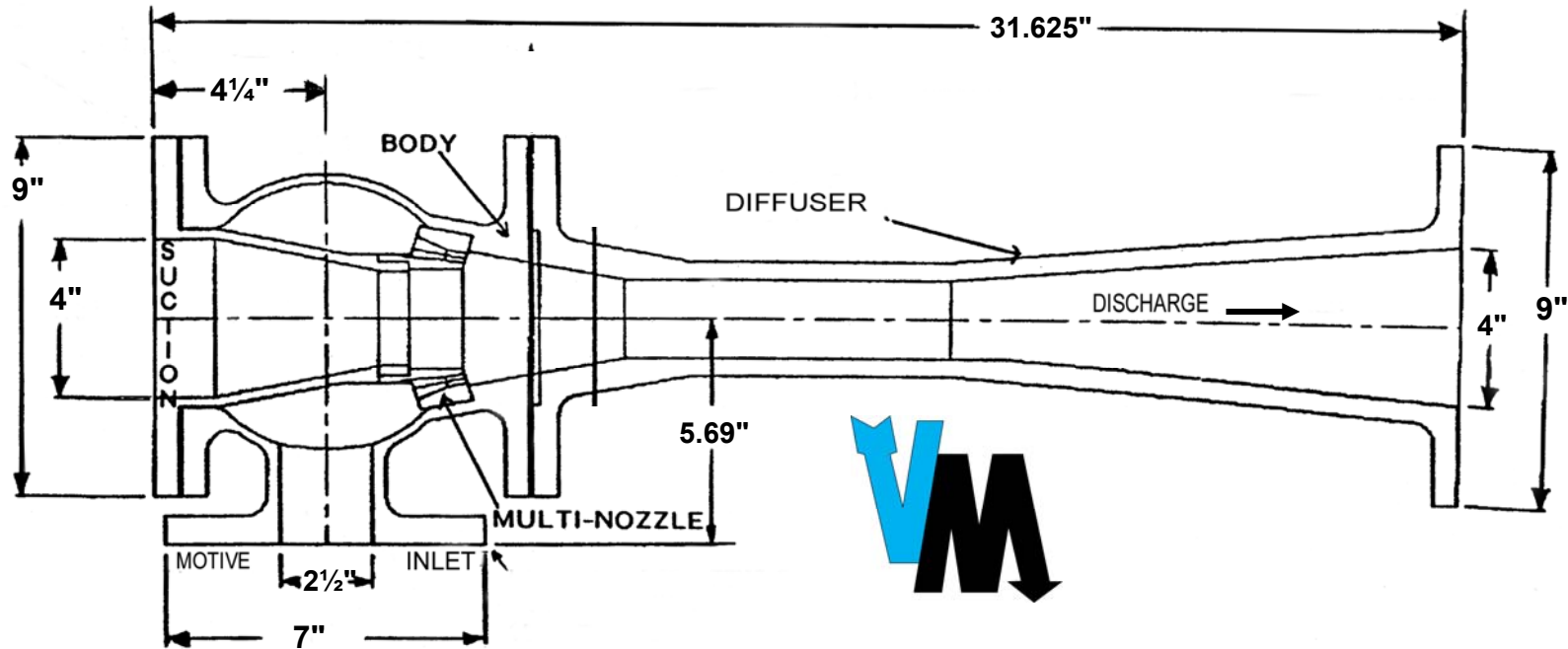


V.M. # 964-4"L BILGEMATE PERIPHERAL JET EDUCTOR

Standard Commercial 2½" x 4" x 4"



Materials of Construction:

Body & Diffuser: Bronze ASTM B62
 Multi-Jet Nozzle: Monel
 Fasteners: 316 Stainless Steel
 Gaskets: Neoprene

General Specifications

Suction Lift Up to -20 Feet
 Discharge Head Up to 90 Feet
 Inlet Pressure 90-150 PSI
 Inlet Quantity 350- 650 GPM
 Suction Capacity UP to 580 GPM

Flanges 150 lb ANSI B16.24 Flat Face

	<u>O.D.</u>	<u>I.D.</u>	<u>THICK</u>	<u># HOLES</u>	<u>Diameter</u>	<u>B.C.</u>
<u>INLET</u>	7"	2½"	9/16"	4	.750"	5½"
<u>SUCTION</u>	9"	4"	11/16"	8	.750"	7½"
<u>DISCHARGE</u>	9"	4"	11/16"	8	.750"	7½"

Dimensions:

<u>Inlet</u>	<u>Suction.</u>	<u>Discharge</u>	<u>"A"</u>	<u>"B"</u>	<u>"C"</u>	<u>"D"</u>	<u>Weight</u>
2½"	4"	4"	31.625"	4¼"	27.375"	5.69"	110 LBS