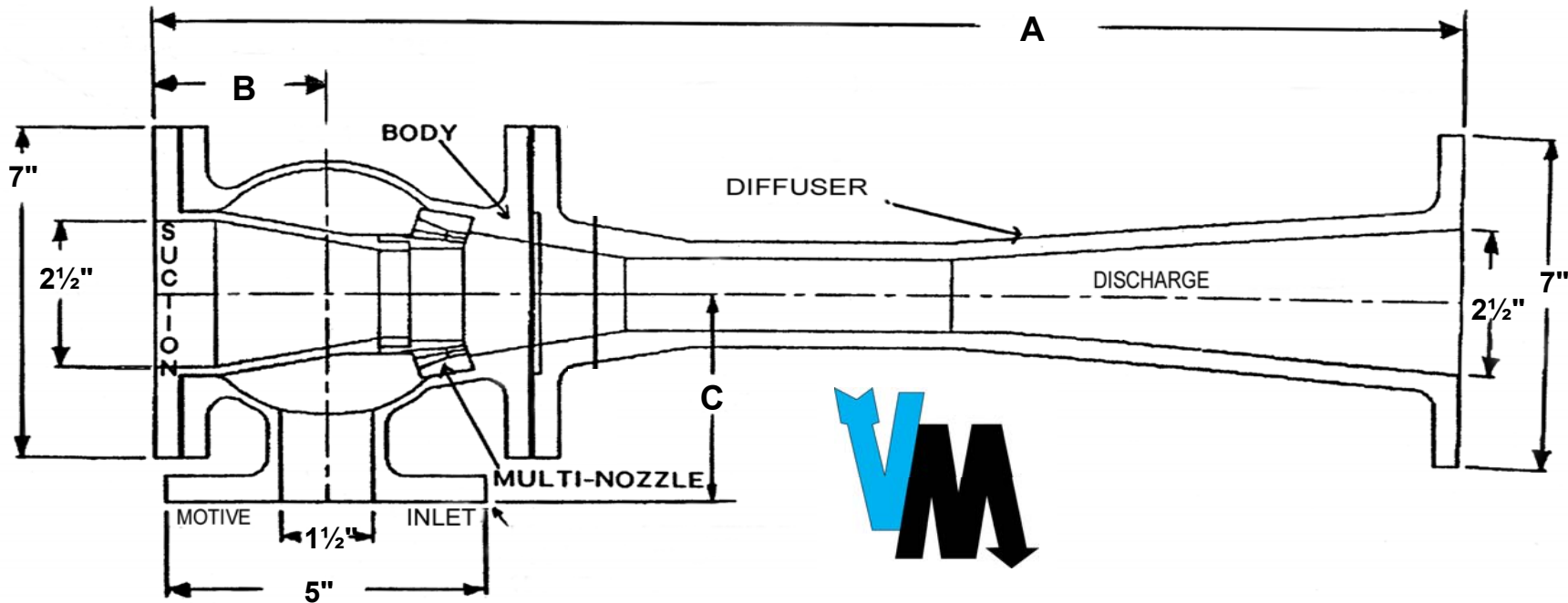


V.M. 925-2 1/2" Bronze Bilgemate Eductor

Standard Commercial 1 1/2" x 2 1/2" x 2 1/2"



Materials

Body & Diffuser	Bronze ASTM B62
Nozzle	Monel or 316 SS
Gaskets	Neoprene
Fasteners	316 Stainless Steel

Specifications

Suction Capacity	Up to 100 GPM
Discharge Head	Up to 70 FEET
Suction Lift	Up to -20 FEET
Inlet Pressure	75-150 PSI
Inlet Quantity	Up to 100 GPM

Dimensions

A	15.875"
B	3.375"
C	5.125"
Weight	55 lbs

Flanges

Inlet	1 1/2"
Suction	2 1/2"
Discharge	2 1/2"

Flange Dimensions 150 LB ANSI B16.24 Flat Face

	INLET	Suction	Discharge
<u>I.D.</u>	1 1/2"	2 1/2"	2 1/2"
<u>O.D.</u>	5"	7"	7"
<u># HOLES</u>	4	4	4
<u>HOLE Ø.</u>	5/8"	3/4"	3/4"
<u>B.C.</u>	3 7/8"	5 1/2"	5 1/2"

Notes:

1. For long inlet lines, use 2 1/2" pipe reducing at eductor to 1 1/2"
2. Allow 3' to 4" 'of straight pipe on discharge.
3. All bend on discharge shall be 45° or shall have a radius of 2 1/2 to 3 times diam. of pipe.
4. Eductor supplied to fit application requirements
5. Eductor is hydro tested at 175 PSI for 20 minutes.