



1802-10"LPK

EDUCTOR

6" x 8" x 10"

General Operating Range

Suction Capacity:	550 – 1500 GPM
Inlet Pressure:	100 – 175 PSI
Inlet Quantity:	500 – 1100 GPM
Suction Lift:	up to 20 FEET
Discharge Head:	up to 100 FEET

Materials of Construction

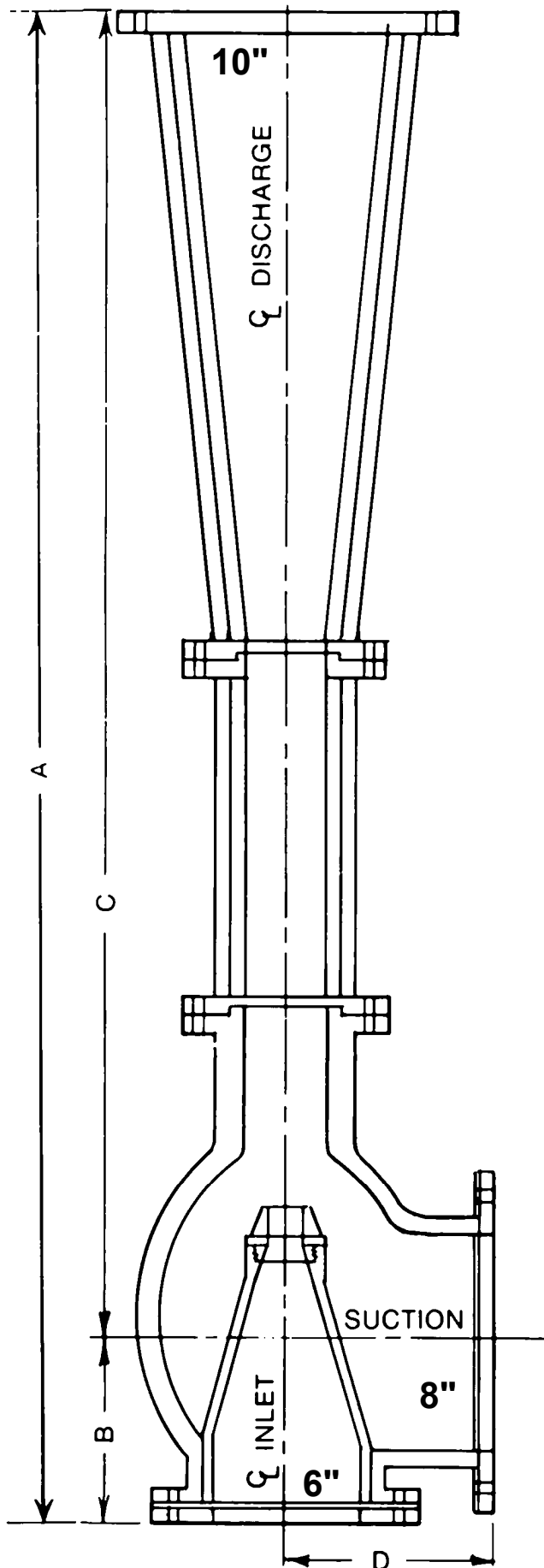
Body & Diffuser: Bronze ASTM B62
 Nozzle: Monel

All Flanges 150 LB ANSI B16.24 FLAT FACE

	<u>Inlet</u>	<u>Suct.</u>	<u>Disch.</u>
<u>O.D.</u>	11"	13½"	16"
<u>I.D.</u>	6"	8"	10"
<u>Thick</u>	.812"	.937"	1"
<u># Holes</u>	8"	8"	12"
<u>B.C.</u>	9½"	11¾"	14¼"
<u>Hole Dia.</u>	.875"	.875"	1"

Dimensions inches (shown for 150 LB flanges)

<u>Inlet</u>	<u>Suct</u>	<u>Disch</u>	<u>A</u>	<u>B</u>	<u>C</u>	<u>D</u>	<u>Weight.</u>
6"	8"	10"	58.625	7"	51.625	8"	360 lbs



VITA MOTIVATOR CO., INC.
 P.O. BOX 8139 ENGLEWOOD, NJ 07631
 (201) 567-1151 • FAX (201) 734-8482
Michaels.greene@att.net