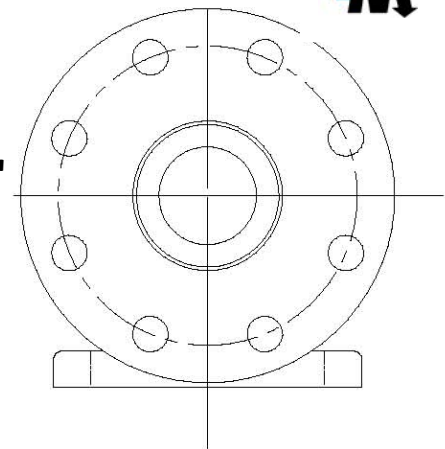
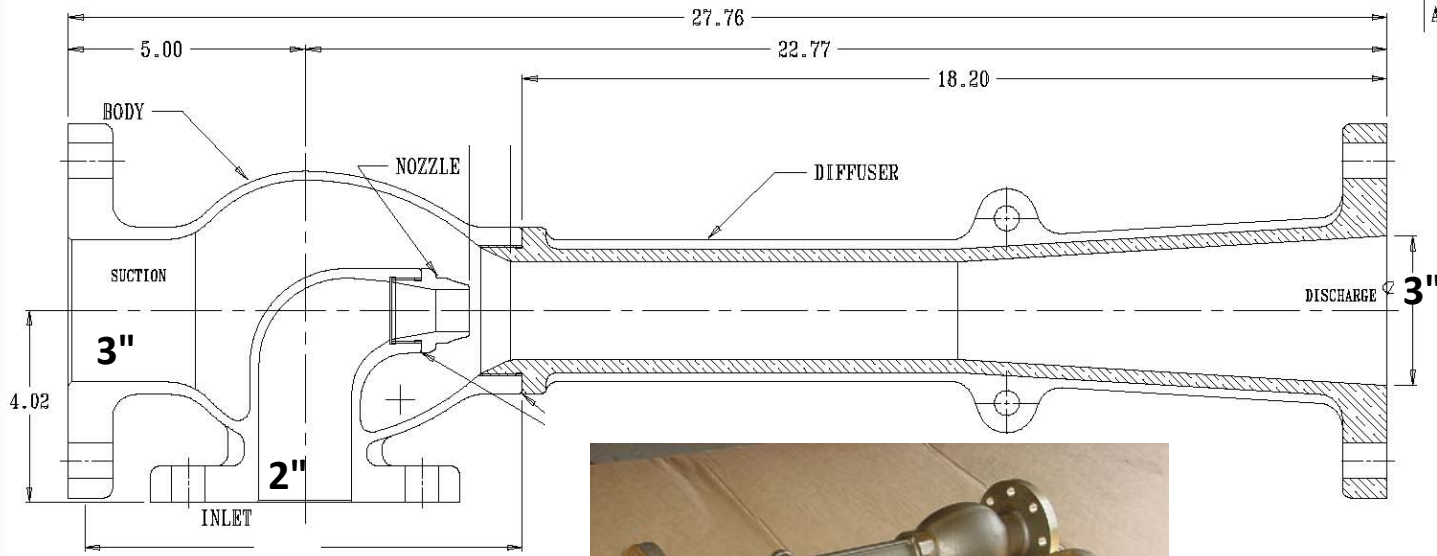


VITA MOTIVATOR

VM # 1542-3"LX EDUCTOR

2" x 3" x 3"

REV	DESCRIPTION	DATE	APPROVED
A & B	RELEASED DRAWING	4/13/09	



Materials
Body & Diffuser Bronze ASTM B62
Nozzle Monel
Flanges: 150 LB ANSI or DIN PN-10
Flanges: Or JIS 10K-16K

Location: WING TANK STRIPPING EDUCTOR
Service: MAIN BILGE BACKUP EDUCTOR
Shipyard:
Project:
AGENT:
Flow Curve # 1030-15423TEST100 9/29/09

General Data
Suction Capacity Up to 206 GPM
Suction Lift Up to -23 Feet
Discharge Head Up to 98 Feet
TOTAL HEAD Up to 121 Feet
Inlet Pressure UP TO 210 PSI
Inlet Quantity UP TO 275 GPM

DIMENSIONS	
Inlet	2"
Suction	3"
Discharge	3"
"A"	27.76"
"B"	22.76"
"C"	5"
"D"	4.02"

Flanges	Inlet	Suction	Discharge
ID	2"	3"	3"
OD	6"	7½"	7½"
# Holes	4	4	4
Hole Ø	¾"	¾"	¾"
B.C.	4¾"	6"	6"
Thick	¾"	¾"	¾"

- Notes:**
- Hydro Tested to 200 PSI / Service: Stripping Ejector – Bilge or Ballast
 - For long inlet lines, use 3" and reduce at ejector to 2"
 - Allow for straight pipe on the eductor discharge equal to 6 – 8 times the discharge pipe diameters. Discharge pipe size requirement to be sized to fit application.
 - All bends on discharge shall be 45° or shall have a radius of 2½ to 3 times diameter of pipe. Allow for length of straight pipe on the suction end of the eductor.
 - Eductor supplied to fit requirements of application. VM should be advised of all service conditions. Customer should follow VM installation and maintenance instructions. Final Eductor dimensions to be confirmed at time that order is placed.
 - Customer is responsible for calculations of friction and all losses in all pipe lines and components and providing data to VM.

Vita Motivator Co., Inc. P.O. Box 8139 Englewood, NJ 07631 (201)-567-1151 fax (201)-734-8482 michaels.greene@att.net